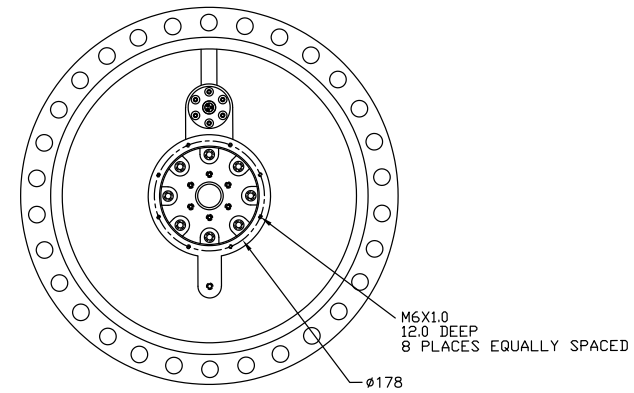
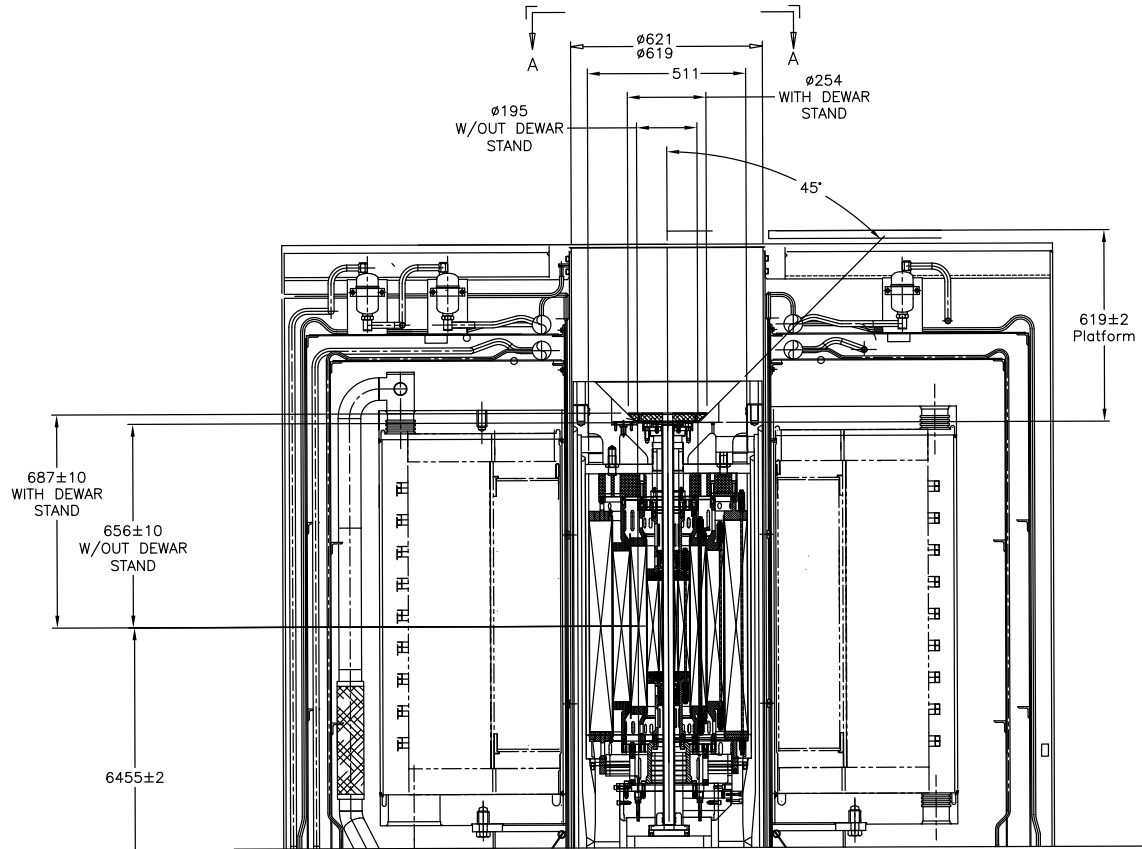


NOTES:
1. MAXIMUM FIELD: 45 T

REVISIONS				
ZONE	REV	DESCRIPTION	DATE	APPROVED
-		INITIAL RELEASE	07/05/99	



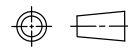
687±10
WITH DEWAR
STAND

656±10
W/OUT DEWAR
STAND

6455±2

FLOOR

THIRD ANGLE PROJECTION



TOP	RES3
NEXT ASSY	USED ON
APPLICATION	

GENERAL TOLERANCES
0 PL DEC ±5
1 PL DEC ±10
ANGLES ± 1'

MATERIAL:
N/A

CONTRACT NO.	
DRAWN S. GUNDLACH	DATE 07/05/99
CHECKED	DATE
ENGR S. BOLE	DATE 07/05/99
RELEASED	DATE

NATIONAL HIGH MAGNETIC FIELD LABORATORY
1800 EAST PAUL DIRAC DRIVE
TALLAHASSEE, FLORIDA 32306-4005

USER INTERFACE CELL 15



UNLESS OTHERWISE SPECIFIED
DIMENSIONS ARE IN MILLIMETERS

SIZE
D RES/ICD-15

REV
—

DO NOT SCALE DRAWING

SCALE 1 / 8

SHEET 1 OF 4