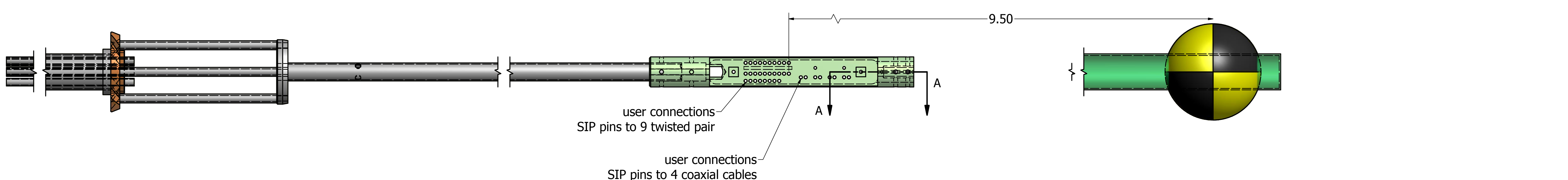
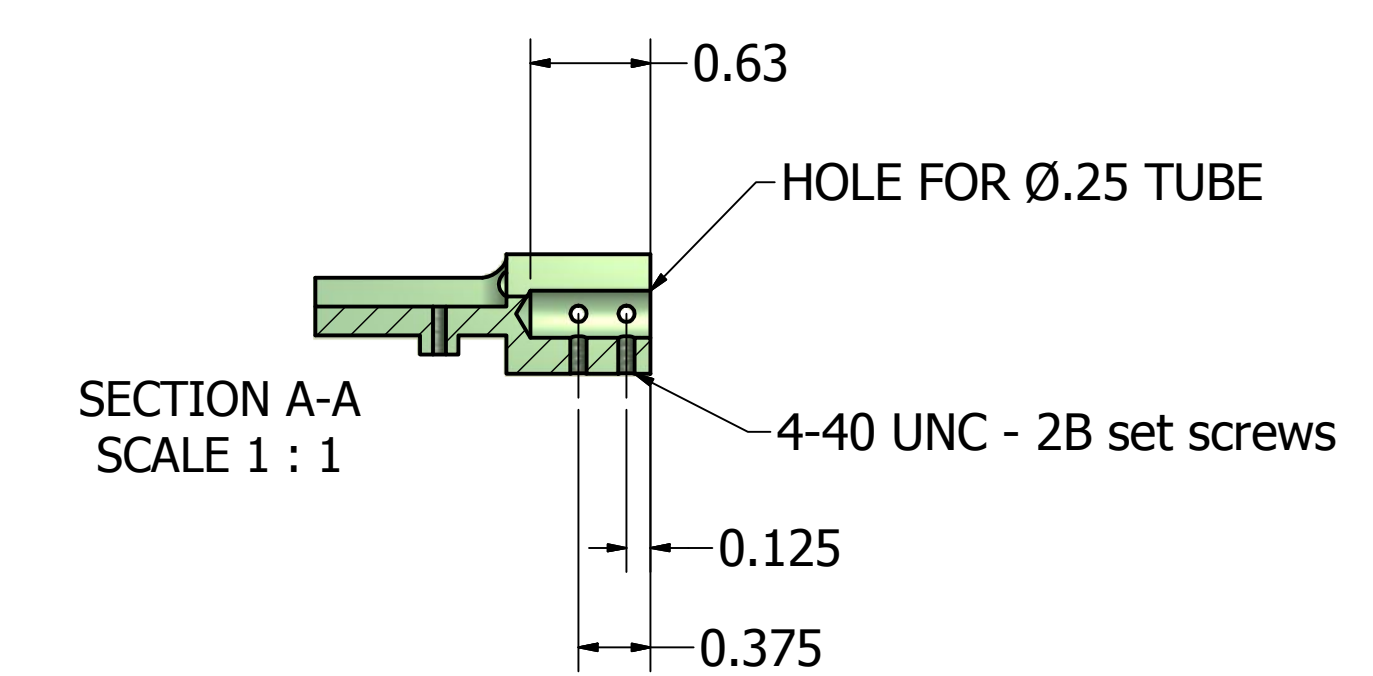
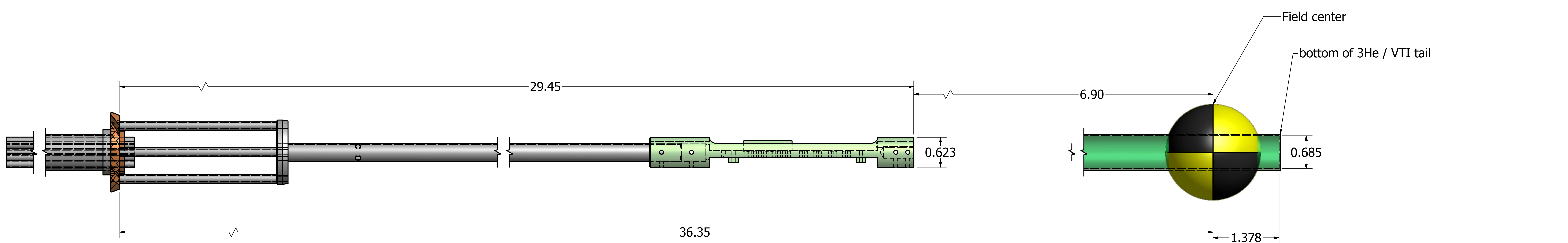
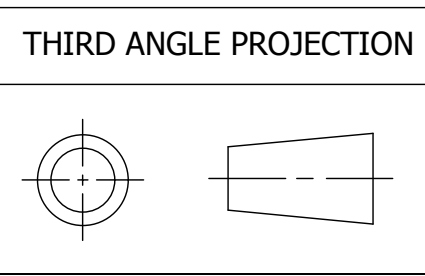


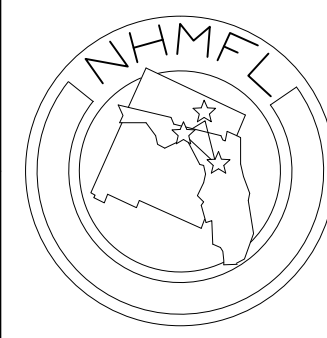
NOTES:  
 1. MATERIAL:  
 2. REMOVE ALL BURRS AND SHARP EDGES UNLESS SPECIFIED.  
 3. MAXIMUM ROUGHNESS  $\sqrt{125}$  UNLESS SPECIFIED  
 4. END OF NOTES

Straight probe #1 - This probe allows for longer sample holders which can be mounted using the  $\varnothing.25$  hole and 4-40 set screws at the end of the G-10 SIP holder



This drawing and the information it contains are both property of the Florida State University and are to be held by the recipient as confidential and are not to be transferred to any third party, used to make or furnish information for making any physical structure or any pictorial, graphic or verbal representation of any information contained herein or copied (unless supplied in productive form) without the express written consent of the Florida State University.



<b>GENERAL TOLERANCES</b> 1 PL DEC: $\pm 0.020$ 2 PL DEC: $\pm 0.010$ 3 PL DEC: $\pm 0.005$ <b>ANGLES: <math>\pm 1^\circ</math></b> UNLESS OTHERWISE SPECIFIED, DIMENSIONS ARE IN INCHES. DO NOT SCALE DRAWING	<b>PART MODEL FILENAME</b> system D probe#1_wo sample holder.iam	NATIONAL HIGH MAGNETIC FIELD LABORATORY. 1800 E PAUL DIRAC DR. TALLAHASSEE, FL. 32310		
	<b>MODELED</b> maier 2/20/2008	<b>DESC</b>		
	<b>DESIGNED</b> S. Maier 8/3/2010 <b>CHECKED</b>			
<b>DESIGN STATE</b> WorkInProgress	<b>SIZE</b> <b>D</b>	<b>DWG NUMBER</b> system D probe#1_wo sample holder	<b>REV</b> -A-	<b>SHT 1 OF 1</b>